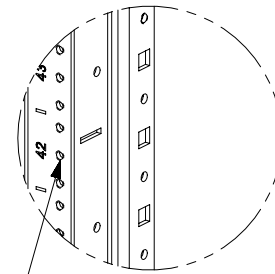
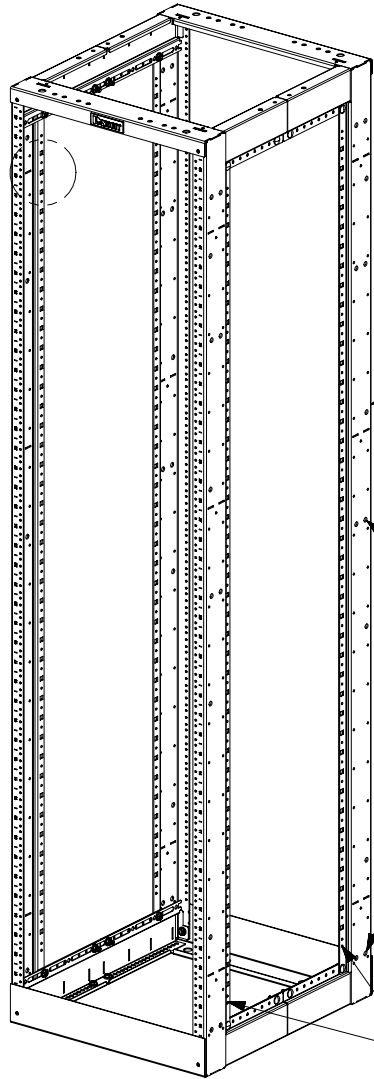


THIS COPY IS PROVIDED ON A RESTRICTED BASIS AND IS NOT TO BE USED IN ANY WAY DETRIMENTAL TO THE INTERESTS OF PANDUIT CORP.

PANDUIT PART NO.	WEIGHT
AR4P AR4PWH	88 LBS 39.9 Kg



VERTICAL CHANNELS
HAVE #12-24 TAPPED HOLES



45RU STEEL 4 POST RACK
DEPTH ADJUSTABLE
FROM 23" TO 42"
(23" DEPTH SHOWN)

MOUNT HOLES FOR
VERTICAL CABLE MANAGERS

MASKED AREA FOR
GROUNDING AT ALL
4 CORNERS

NOTES:

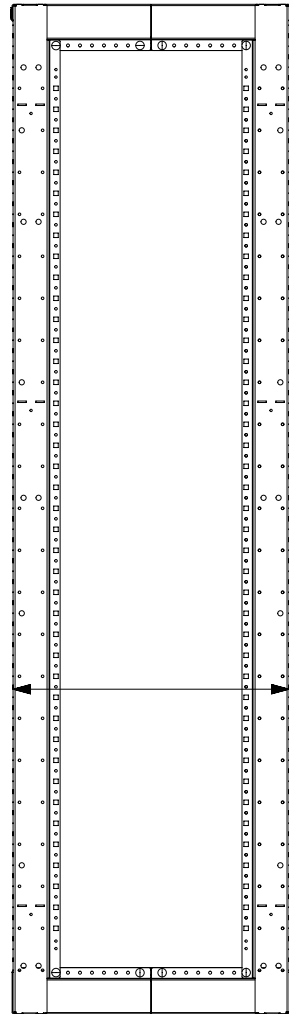
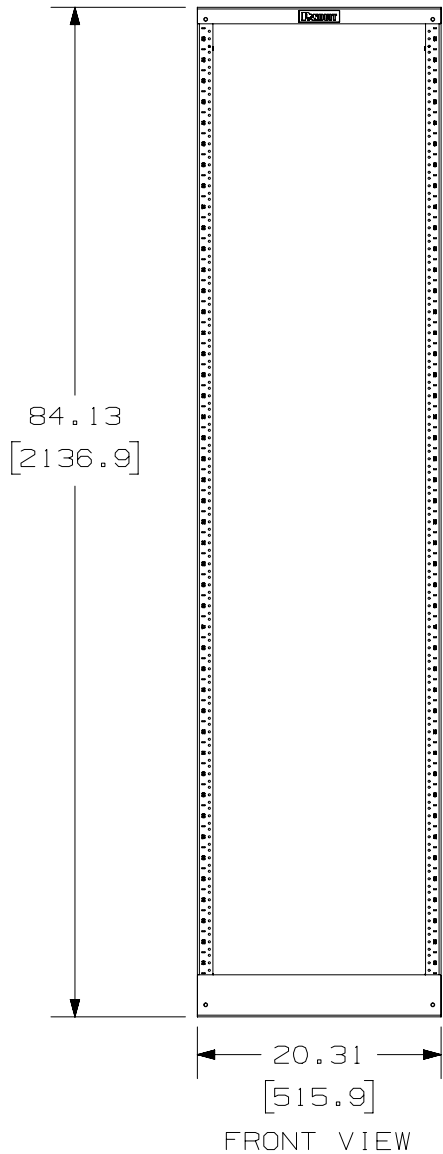
- VISIT OUR ON-LINE CATALOG AT WWW.PANDUIT.COM FOR A LIST OF CURRENT PARTS APPLICABLE FOR USE WITH THIS PRODUCT.
- DIMENSIONS IN PARENTHESIS ARE METRIC.
- RACK DEPTH IS ADJUSTABLE FROM 23" TO 42" AT 1/2" INCREMENTS.
- CAN BE USED WITH ANY EIA STANDARD COMPONENT IN ADDITION TO ALL PANDUIT HORIZONTAL CABLE MANAGEMENT AND PATCH PANEL PRODUCTS.
- 45 AVAILABLE RACK SPACES.
- EIA UNIVERSAL STANDARD HOLE PROGRESSION ON FRONT AND REAR CHANNELS.
.625", .625", .500", .625", .625", .500"...ETC.
- ALL RACKS WILL HAVE NUMBERS UP ORIENTATION (RU "01" ON BOTTOM, RU "45" ON TOP).
- RU SPACING NUMBERS ARE CLEARLY PRINTED ON MOUNTING RAILS.
- ALL ASSEMBLY HARDWARE INCLUDED:
(2) 84" TALL WELDED RACK FRAME WITH #12-24 TAPPED MOUNT HOLES
(4) ADJUSTABLE DEPTH MOUNT BRACKETS
(1) HARDWARE KIT
- EASY ASSEMBLY, ONE WRENCH NEEDED TO INSTALL CARRIAGE BOLTS INTO IN ALL 8 CORNERS.
- FULLY BONDED STRUCTURE WHEN ASSEMBLED PER INSTRUCTIONS.
- LOAD RATING - 2000 LBS.

PART NUMBER		AR4P / AR4PWH	
TITLE			
STEEL CONTAINMENT RACK, 45RU TAPPED RAILS, ADJUSTABLE DEPTH FROM 23" TO 42"			
CUSTOMER DRAWING			
ITEM REVISION NAME		00448EAE/01	
DATASET FILE NAME		00448EAE_DC/01A	
MATERIAL		STEEL	
DRAWN BY		TWW	
DATE		10-21-19	
CHK		RYB	
SCALE		NONE	
DRAWING NUMBER		00448EAE - DC	
SHEET 1 OF 3		A	

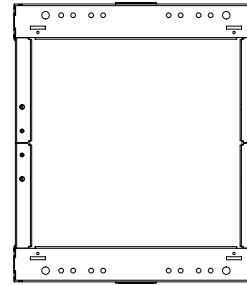
REV	DATE	BY	CHK	APR	DESCRIPTION	ECN
01A	10-13-20	RYB	KRKE		UPDATED VIEWS	
00A	7-10-20	TWV	RYB	JEFK	RELEASED TO PRODUCTION	M09000ME

A-SIZE CUSTOMER

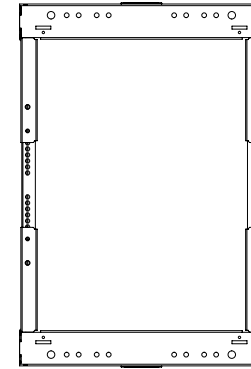
THIS COPY IS PROVIDED ON A RESTRICTED BASIS AND IS NOT TO BE USED IN ANY WAY DETRIMENTAL TO THE INTERESTS OF PANDUIT CORP.



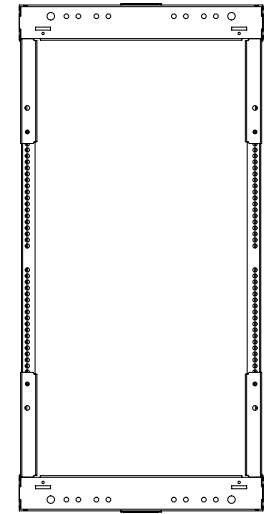
SIDE VIEW
23" DEPTH SHOWN



TOP VIEW
23" DEPTH



TOP VIEW
30" DEPTH



TOP VIEW
42" DEPTH

PART NUMBER		AR4P / AR4PWH	
TITLE			
STEEL CONTAINMENT RACK, 45RU TAPPED RAILS, ADJUSTABLE DEPTH FROM 23" TO 42"			
CUSTOMER DRAWING			
ITEM REVISION NAME		00448EAE/01	
DATASET FILE NAME		00448EAE_DC/01A	
MATERIAL		STEEL	
DRAWN BY		DATE	CHK
TWW		1-22-20	RYB
SCALE		NONE	
DRAWING NUMBER		00448EAE - DC	
SHEET 2 OF 3		A	

REV	DATE	BY	CHK	APR	DESCRIPTION	ECN
01A	7-10-20	TWV	RYB	JEFK	SEE SHEET ONE FOR REVISIONS	M09000ME

A-SIZE CUSTOMER

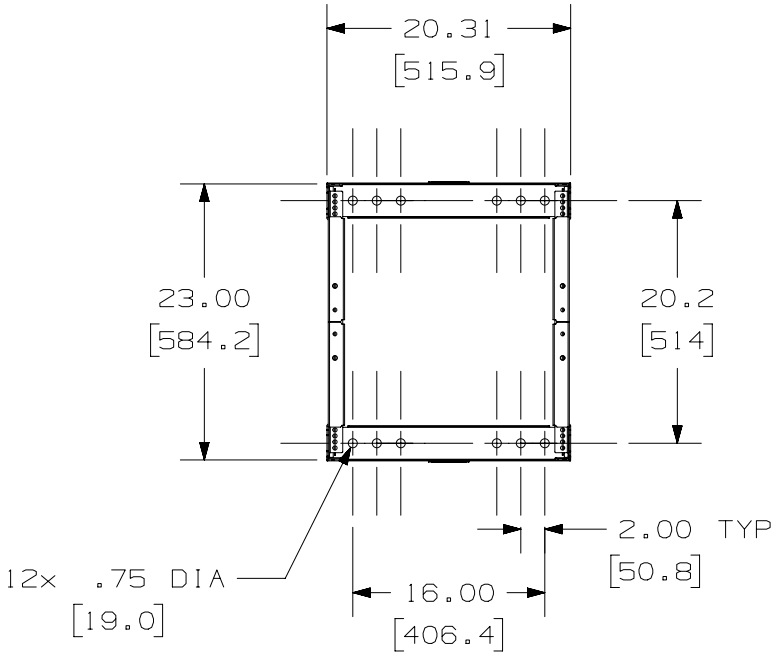
2

1

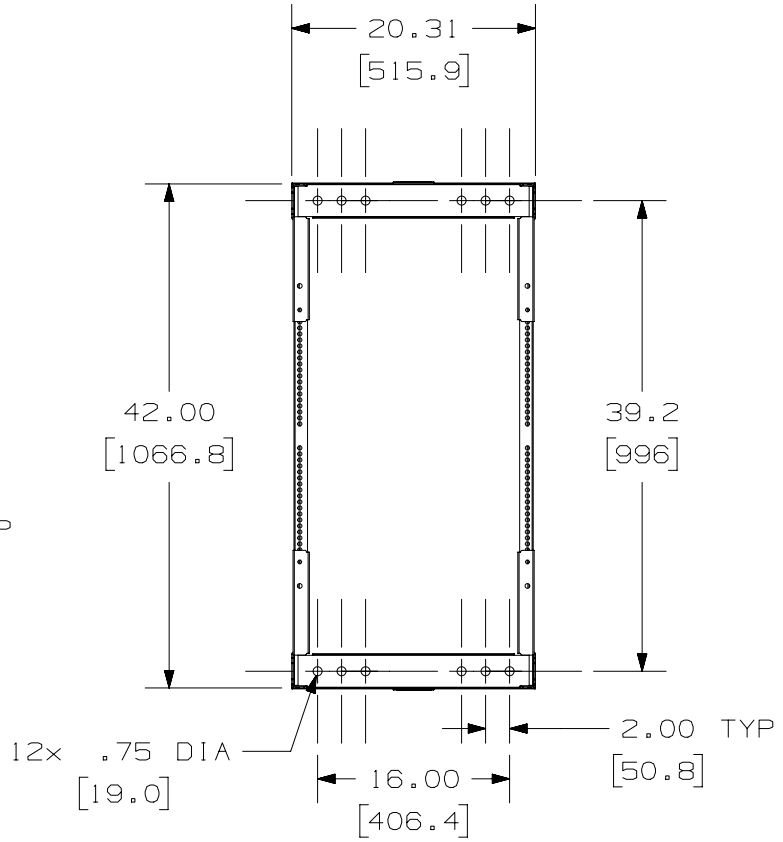
2

1

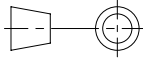
THIS COPY IS PROVIDED ON A RESTRICTED BASIS AND IS NOT TO BE USED IN ANY WAY DETRIMENTAL TO THE INTERESTS OF PANDUIT CORP.



FLOOR FOOTPRINT AT 23" MINIMUM DEPTH



FLOOR FOOTPRINT AT 42" MAXIMUM DEPTH

PART NUMBER		AR4P / AR4PWH		
TITLE				
STEEL CONTAINMENT RACK, 45RU TAPPED RAILS, ADJUSTABLE DEPTH FROM 23" TO 42"				
CUSTOMER DRAWING				
ITEM REVISION NAME		00448EAE/01		
DATASET FILE NAME		00448EAE_DC/01A		
		THIRD ANGLE PROJECTION		
MATERIAL		STEEL		
DRAWING NUMBER				00448EAE - DC
01A	7-10-20	TWV	RYB	JEFK
SEE SHEET ONE FOR REVISIONS				
M09000ME				
REV	DATE	BY	CHK	APR
DESCRIPTION				
ECN				
DRAWN BY	DATE	CHK	SCALE	SIZE
TWV	1-22-20	RYB	NONE	A

A-SIZE CUSTOMER