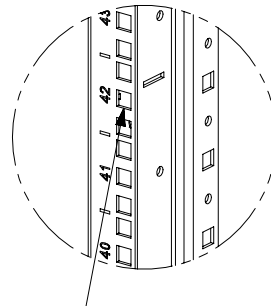


THIS COPY IS PROVIDED ON A RESTRICTED BASIS AND IS NOT TO BE USED IN ANY WAY DETRIMENTAL TO THE INTERESTS OF PANDUIT CORP.

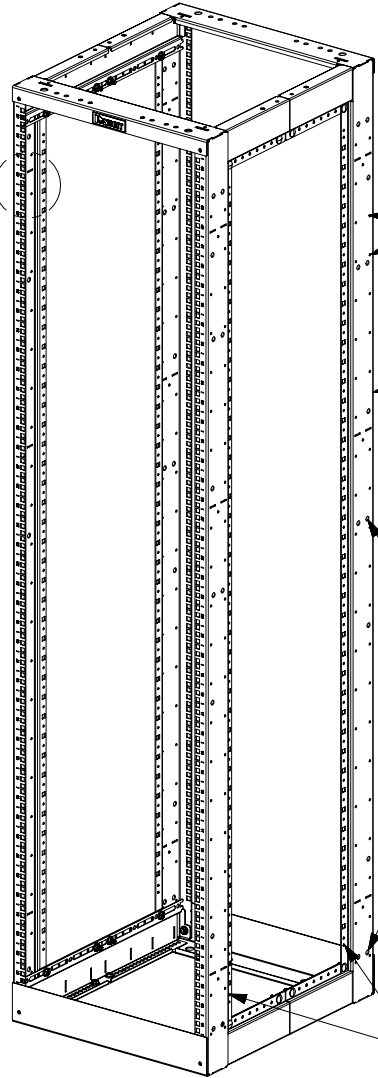


VERTICAL CHANNELS HAVE CAGE NUT HOLES

PANDUIT PART NO.	WEIGHT
AR4PCN	65.1 LBS
AR4PCNWH	29.5 Kg

NOTES:

- VISIT OUR ON-LINE CATALOG AT [WWW.PANDUIT.COM](http://WWW.PANDUIT.COM) FOR A LIST OF CURRENT PARTS APPLICABLE FOR USE WITH THIS PRODUCT.
- DIMENSIONS IN PARENTHESIS ARE METRIC. RACK DEPTH IS ADJUSTABLE FROM 23" TO 42" AT 1/2" INCREMENTS.
- CAN BE USED WITH ANY EIA STANDARD COMPONENT IN ADDITION TO ALL PANDUIT HORIZONTAL CABLE MANAGEMENT AND PATCH PANEL PRODUCTS.
- 45 AVAILABLE RACK SPACES.
- EIA UNIVERSAL STANDARD HOLE PROGRESSION ON FRONT AND REAR CHANNELS. .625", .625", .500", .625", .625", .500"...ETC.
- ALL RACKS WILL HAVE NUMBERS UP ORIENTATION (RU "01" ON BOTTOM, RU "45" ON TOP).
- RU SPACING NUMBERS ARE CLEARLY PRINTED ON MOUNTING RAILS.
- ALL ASSEMBLY HARDWARE INCLUDED:  
(2) 84" TALL WELDED RACK FRAME WITH CAGE NUT MOUNT HOLES  
(4) ADJUSTABLE DEPTH MOUNT BRACKETS  
(1) HARDWARE KIT
- EASY ASSEMBLY, ONE WRENCH NEEDED TO INSTALL CARRIAGE BOLTS INTO IN ALL 8 CORNERS.
- FULLY BONDED STRUCTURE WHEN ASSEMBLED PER INSTRUCTIONS.
- LOAD RATING - 2000 LBS.



BONUS HOLES FOR MOUNTING OPTIONAL PANDUIT ACCESSORIES

45RU STEEL 4 POST RACK DEPTH ADJUSTABLE FROM 23" TO 42" (23" DEPTH SHOWN)

MOUNT HOLES FOR VERTICAL CABLE MANAGERS

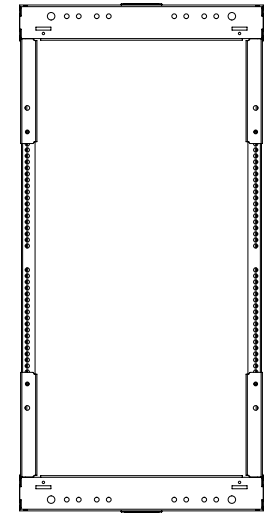
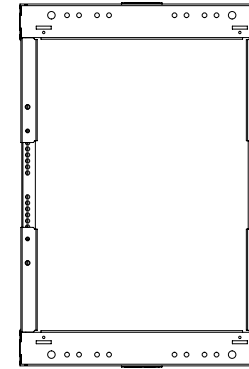
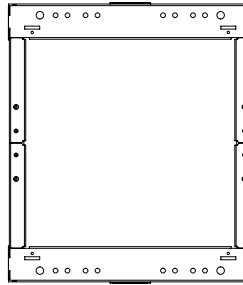
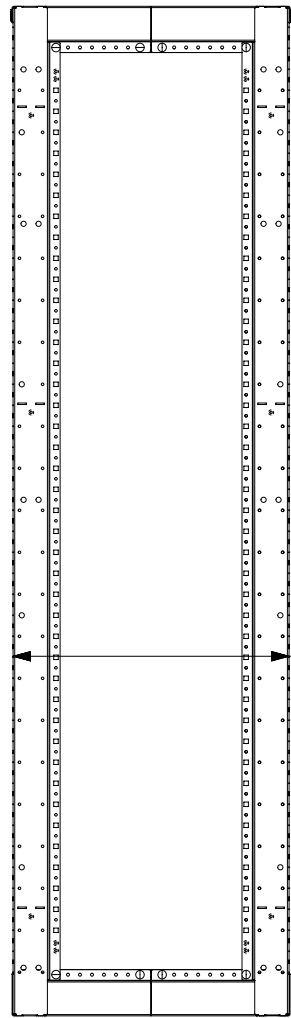
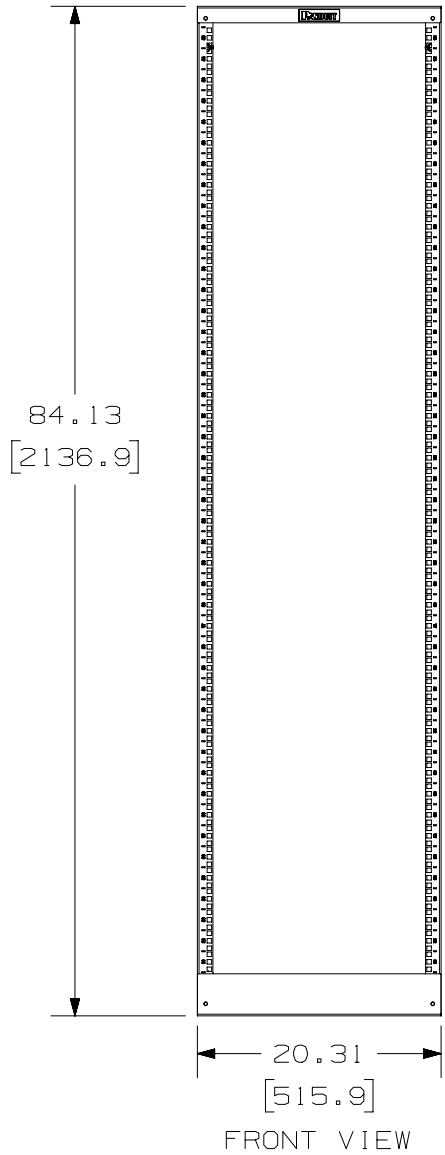
MASKED AREA FOR GROUNDING AT ALL 4 CORNERS

PART NUMBER		AR4PCN / AR4PCNWH	
TITLE			
STEEL CONTAINMENT RACK, 45RU CAGE NUT RAILS, ADJUSTABLE DEPTH FROM 23" TO 42"			
CUSTOMER DRAWING			
ITEM REVISION NAME		00448EAD/01	
DATASET FILE NAME		00448EAD_DC/01A	
		THIRD ANGLE PROJECTION	
MATERIAL		STEEL	
DRAWING NUMBER		00448EAD-DC	
DRAWN BY	DATE	CHK	SCALE
TWV	7-10-20	RYB	NONE
SHEET 1 OF 3		SIZE	
A		A	

A-SIZE CUSTOMER

01A	7-10-20	TWV	RYB	JEFK	RELEASED TO PRODUCTION	M09000ME
REV	DATE	BY	CHK	APR	DESCRIPTION	ECN

THIS COPY IS PROVIDED ON A RESTRICTED BASIS AND IS NOT TO BE USED IN ANY WAY DETRIMENTAL TO THE INTERESTS OF PANDUIT CORP.



PART NUMBER		AR4PCN / AR4PCNWH		
TITLE				
STEEL CONTAINMENT RACK, 45RU CAGE NUT RAILS, ADJUSTABLE DEPTH FROM 23" TO 42"				
CUSTOMER DRAWING				
ITEM REVISION NAME		00448EAD/01		
DATASET FILE NAME		00448EAD_DC/01A		
MATERIAL		STEEL		
DRAWN BY		DATE	CHK	SCALE
TWW		7-10-20	RYB	NONE
DRAWING NUMBER		00448EAD-DC		
REV		DATE	BY	CHK
01A		7-10-20	TWV	RYB
DESCRIPTION		SEE SHEET ONE FOR REVISIONS		
ECN		M09000ME		
THIRD ANGLE PROJECTION		DRAWING NUMBER		
THIRD ANGLE PROJECTION		00448EAD-DC		
THIRD ANGLE PROJECTION		3HEET 2 OF 3		
THIRD ANGLE PROJECTION		A		

A-SIZE CUSTOMER

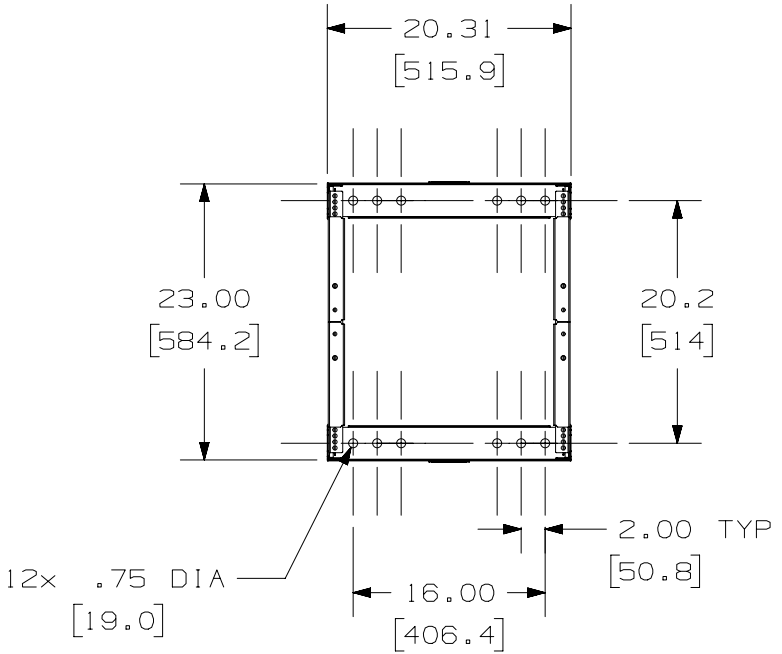
2

1

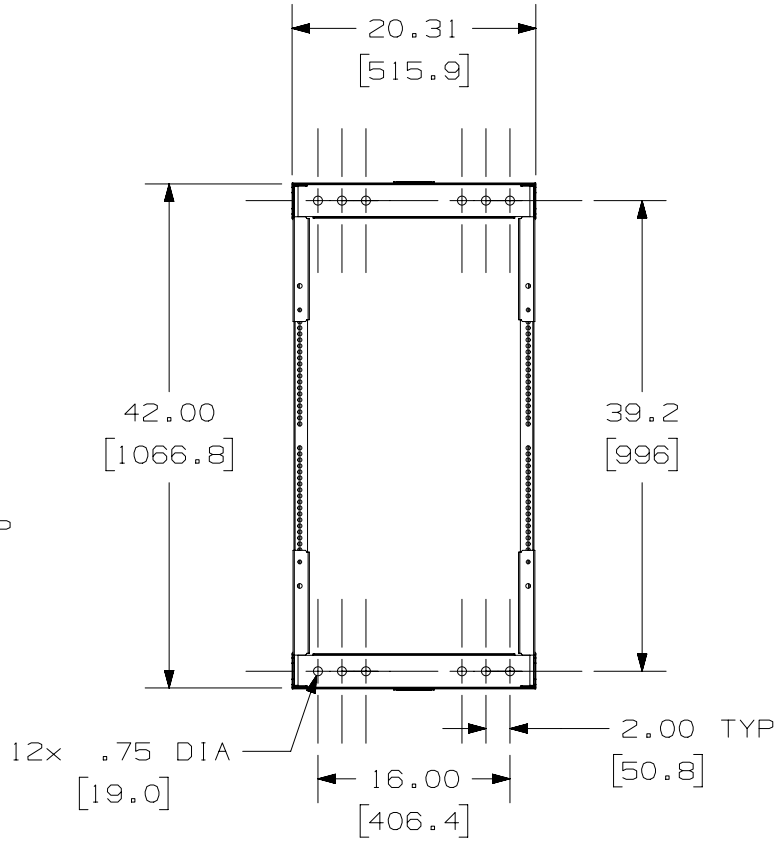
2

1

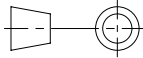
THIS COPY IS PROVIDED ON A RESTRICTED BASIS AND IS NOT TO BE USED IN ANY WAY DETRIMENTAL TO THE INTERESTS OF PANDUIT CORP.



FLOOR FOOTPRINT AT 23" MINIMUM DEPTH



FLOOR FOOTPRINT AT 42" MAXIMUM DEPTH

PART NUMBER		AR4PCN / AR4PCNWH		
TITLE				
STEEL CONTAINMENT RACK, 45RU CAGE NUT RAILS, ADJUSTABLE DEPTH FROM 23" TO 42"				
CUSTOMER DRAWING				
ITEM REVISION NAME		00448EAD/01		
DATASET FILE NAME		00448EAD_DC/01A		
		THIRD ANGLE PROJECTION		
MATERIAL		STEEL		
DRAWING NUMBER				00448EAD-DC
01A	7-10-20	TWV	RYB	JEFK
SEE SHEET ONE FOR REVISIONS				
M09000ME				
DRAWN BY	DATE	CHK	SCALE	SIZE
TWV	7-10-20	RYB	NONE	A

A-SIZE CUSTOMER

REV	DATE	BY	CHK	APR	DESCRIPTION	ECN
01A	7-10-20	TWV	RYB	JEFK	SEE SHEET ONE FOR REVISIONS	M09000ME

2

1